

# MARTIN WILLIAMS *MW* CONCRETE PRODUCTS LTD

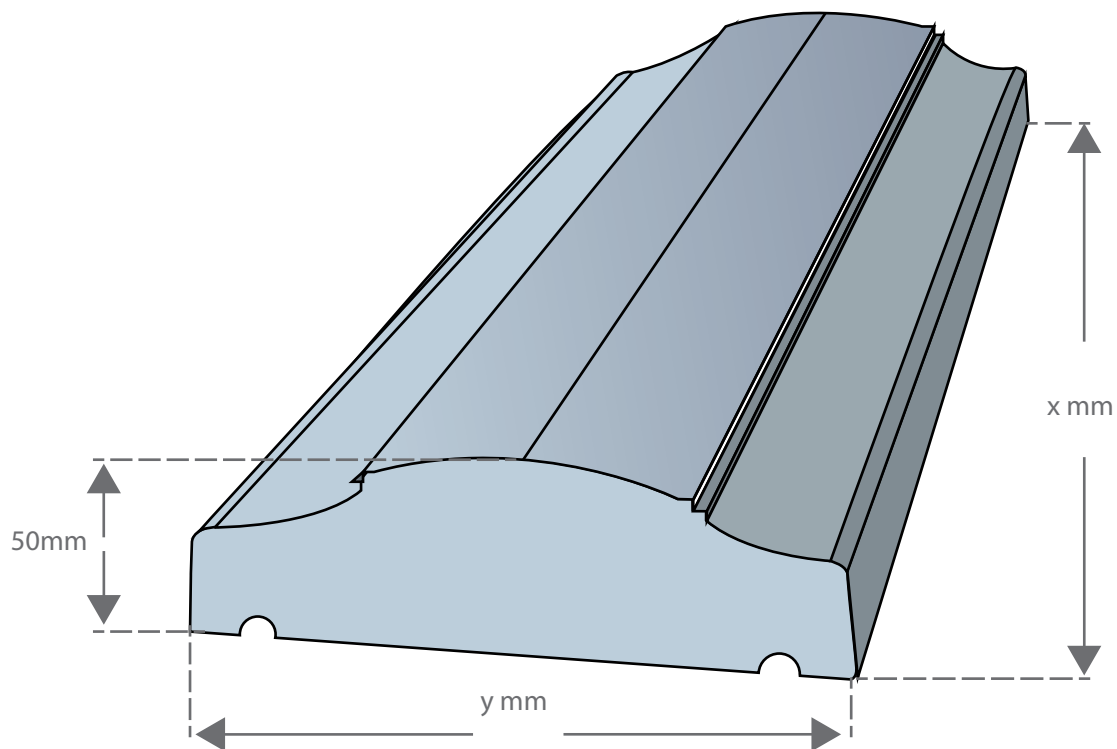
SPANCILHILL, TULLA RD, ENNIS, CO CLARE

TEL: 065 6829950 | FAX:065 6829052

EMAIL: MARTIN@WCP.IE | WWW.WCP.IE

## Bevelled Edge Wall Cap

| CAP SIZES |       |
|-----------|-------|
| Length    | Width |
| x         | y     |
| 200       | 90    |
| 245       | 80    |
| 310       | 100   |



This drawing is ©. All rights Reserved

Profile, sizes and weights are given as an indication only.

Martin Williams Concrete Products Ltd reserves the right to modify these at any time without notice.