

MARTIN WILLIAMS
MWC
CONCRETE PRODUCTS LTD

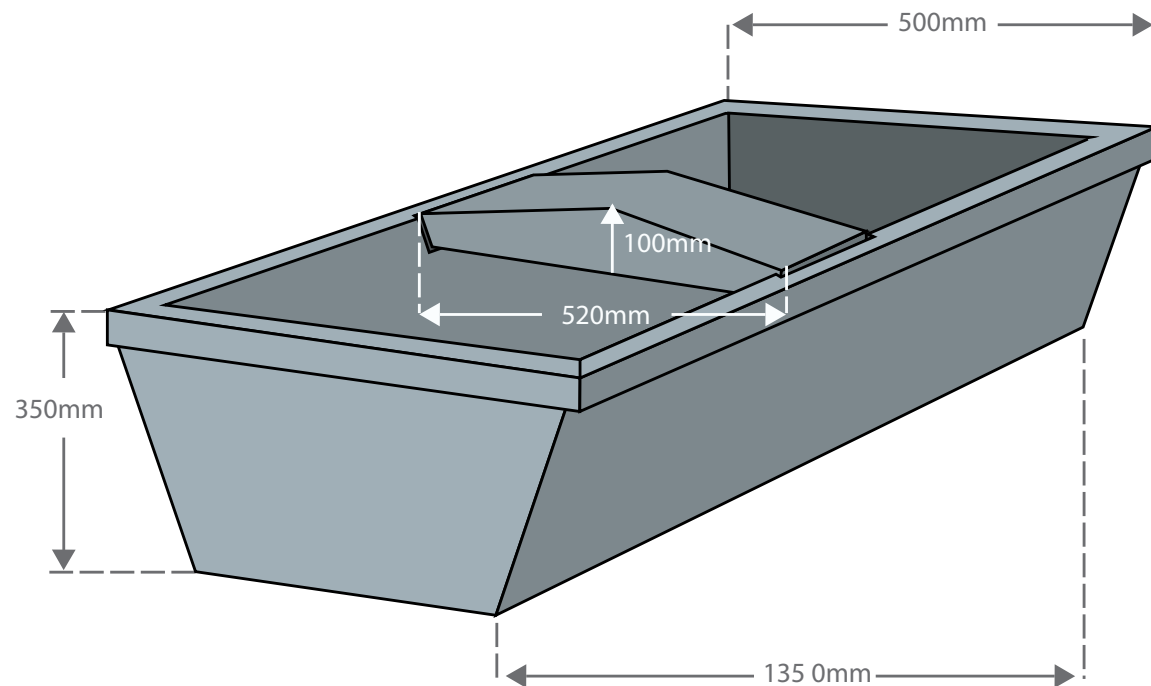
SPANCILHILL, TULLA RD, ENNIS, CO CLARE

TEL: 065 6829950 | FAX:065 6829052

EMAIL: MARTIN@WCP.IE | WWW.WCP.IE

Drinking Trough

230 Litres



This drawing is ©. All rights Reserved

Profile, sizes and weights are given as an indication only.

Martin Williams Concrete Products Ltd reserves the right to modify these at any time without notice.