

MARTIN WILLIAMS
MW
CONCRETE PRODUCTS LTD

SPANCILHILL, TULLA RD, ENNIS, CO CLARE

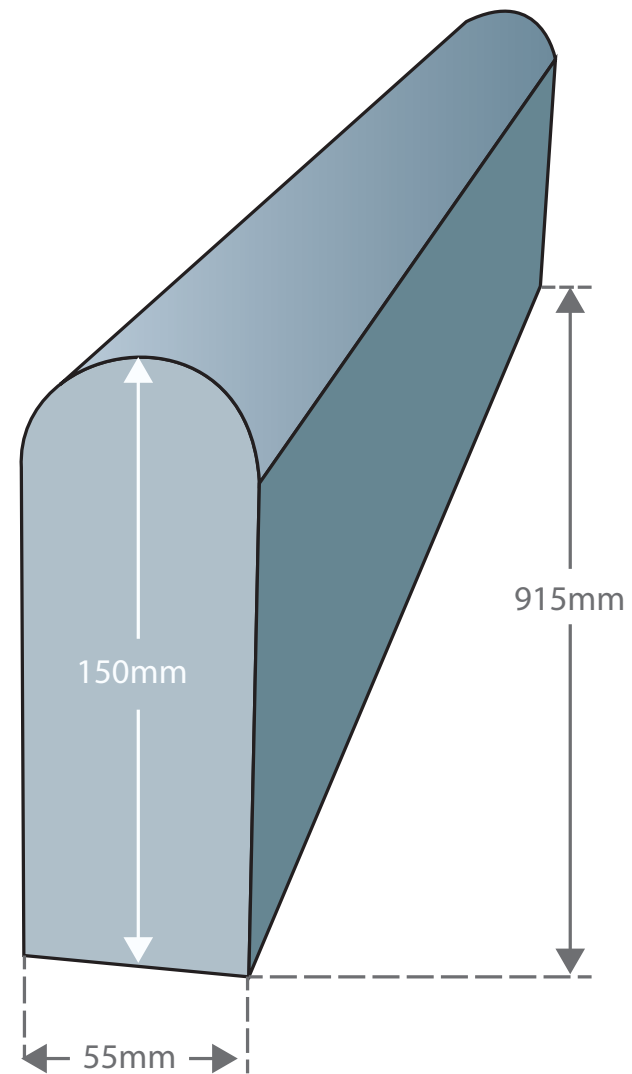
TEL: 065 6829950 | FAX:065 6829052

EMAIL: MARTIN@WCP.IE | WWW.WCP.IE

Garden Edging Kerbs

6" x 2"

(150 x 55 x 915mm)



This drawing is ©. All rights Reserved

Profile, sizes and weights are given as an indication only.

Martin Williams Concrete Products Ltd reserves the right to modify these at any time without notice.