

**MARTIN WILLIAMS**  
*MWC*  
**CONCRETE PRODUCTS LTD**

SPANCILHILL, TULLA RD, ENNIS, CO CLARE

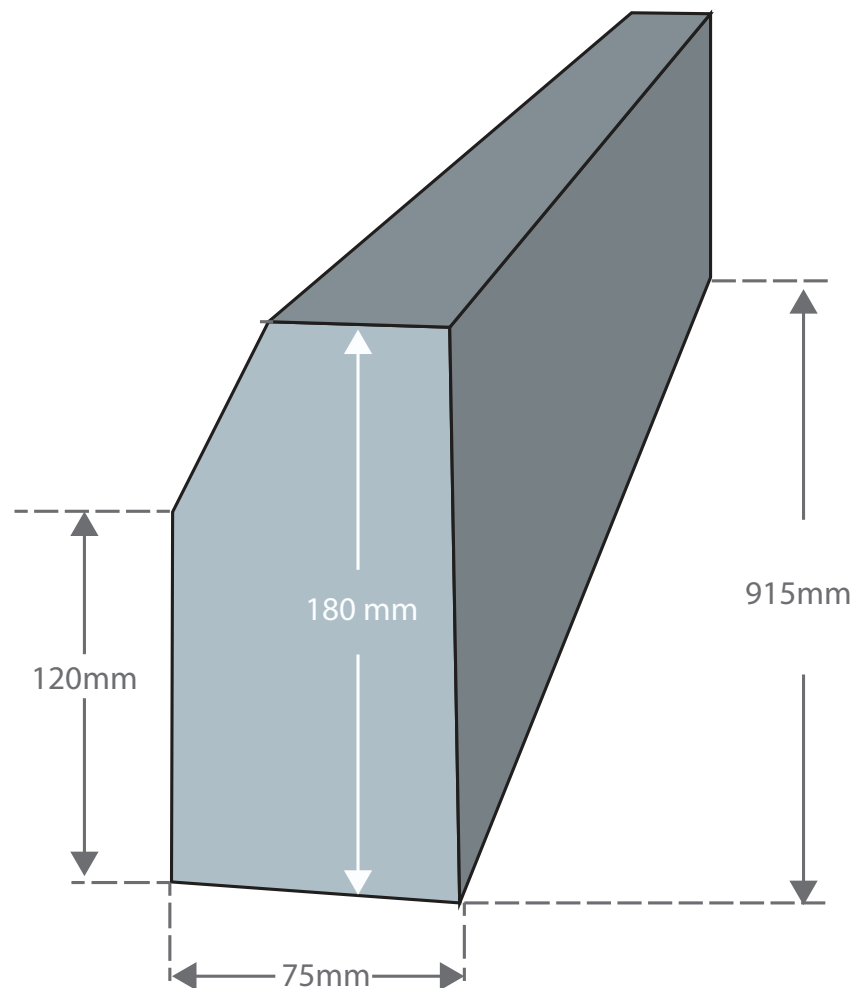
TEL: 065 6829950 | FAX:065 6829052

EMAIL: MARTIN@WCP.IE | WWW.WCP.IE

**Pressed Kerb**

**7" x 5"**

**(180 x 120 x 915mm)**



This drawing is ©. All rights Reserved

Profile, sizes and weights are given as an indication only.

Martin Williams Concrete Products Ltd reserves the right to modify these at any time without notice.